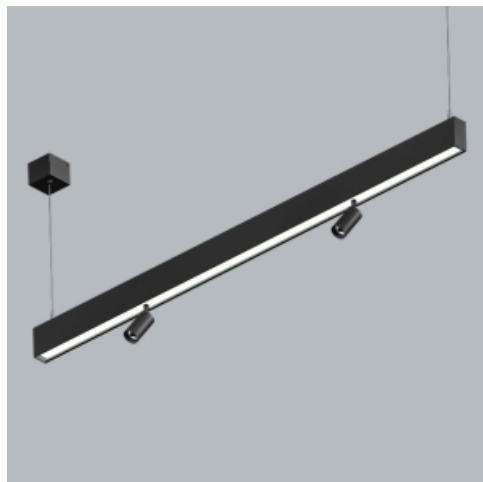


Product: X-LINE SLIGHT SPOTS UP&DOWN LED 7700/8800 PLX-T/MICRO-PRM E / 2x 600 15° E 04 830 / L-2284MM S-1,5M TWO CIRCUIT

Index: 19.4401.661E.04



Description

X-LINE SLIGHT SPOTS is a variant of our popular X-Line linear lighting series, now featuring a combination of general and accent lighting. This version integrates compact yet powerful projectors from LUXIONA offer (Luxcan Micro) with a 15° optical beam (PMMA lens), allowing 360° horizontal and 90° vertical rotation, ideal for highlighting any detail in the space. These projectors are also featured in various Luxiona products, achieving a cohesive aesthetic across projects that use multiple products. Luminaires, available in suspended option, come with opal or micro-prismatic diffuser, in 3000K and 4000K colour temperatures, and CRI80. They are available in three finishes (white, black, and silver) and three lengths (1162, 1723, and 2284mm). It is also possible to choose between non-dimmable drivers or DALI dimmable options. In addition to all standard configurations, this product can be customised in LED colour temperature, CRI, and beam angles (24°, 36°, or 50°) to fit specific lighting needs.

Product information

| | |
|----------|---|
| Category | Surface mounted luminaires |
| Family | X-LINE SLIGHT SPOTS UP&DOWN LED |
| Name | X-LINE SLIGHT SPOTS UP&DOWN LED 7700/8800 PLX-T/MICRO-PRM E / 2x 600 15° E 04 830 / L-2284MM S-1,5M TWO CIRCUIT |
| Index | 19.4401.661E.04 |
| EAN | 5902107645236 |



Light and electrical data

| | |
|---|---|
| Light source | LED |
| Luminous flux LED [lm] | 16696 / 1294 |
| LED power [W] | 85,5 / 8,6 |
| Luminaire luminous flux [lm] | 13144 / 1020 |
| Power of luminaire [W] | 95,8 / 10,8 |
| Luminaire's light efficiency [lm/W] | 137,2 / 94,4 |
| Color of the light [K] | 3000 |
| CRI | >80 |
| SDCM (LED sources) | 3 |
| Beam angle [°] | (C0-C180) / (C90-C270) - 86,2° / 111° // (C0-C180) / (C90-C270) - 17,8° / 19,8° |
| Photobiological risk class (IEC/EN 62471) | RG0 |
| Protection against electric shock | I |
| Protection degree | IP40 |
| Voltage | 220..240 V, 50..60 Hz |
| Lifetime of LED sources [h] | 80000 |
| Lx/By | L80/B10 |
| Operating temperature range [°C] | 5 ÷ 35 |
| Driver | standard on/off (E) / standard on/off (E) |
| Circuit load capacity | 8 (B10), 13 (B16), 11 (C10), 18 (C16) |

Mechanical data

□ ± I
B
H



| | |
|------------------|--|
| Assembly | surface mounted on slings |
| Material | aluminum |
| Color | RAL 9005 (black) |
| Diffuser | PLX-T/Micro-PRM (transparent PMMA/micro-prismatic diffuser PMMA) [up/down] / optical system based on PMMA lenses |
| Impact resistant | IK04 |
| Dimensions [mm] | 2284 x 34 x 68 |

A graph of light

