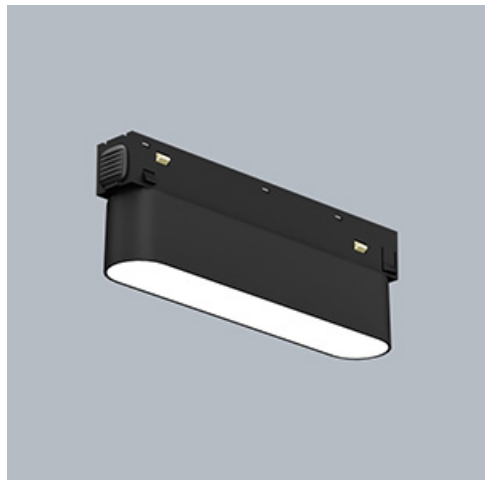


Product: LINEAR TRACK 48V 1000 PLX EDD 04 940

Index: 19.4382.1143.04



Description

LINEAR TRACK 48V is an advanced low-voltage luminaire system available in both non-adjustable and adjustable versions. Its modular, elegant and simple design easily combines aesthetic form with functionality. The track profile allows the combination of different module configurations and their easy and tool-free replacement, offering an elegant, integrated look. The system is available in two variants: a non-adjustable opal diffuser version for general lighting and a combined lens and anti-glare louvre version for accent lighting (beam angles of 20°, 36° or 45°). In the second variant, the luminaire is available in both non-adjustable (Louvre) and adjustable (Louvre Adjustable) versions, allowing 360-degree horizontal rotation and 90-degree vertical adjustment. The LINEAR TRACK 48V luminaire, is available in a black finish, as well as on/off and dimmable (DALI) versions and with a high colour rendering index (CRI90). You can also choose from three colour temperature options for the LED sources - 2700, 3000 and 4000 K. The system is ideal for commercial and residential spaces of a high standard, particularly for elegant shops, art galleries, showrooms, shop windows and supermarkets.

Product information

Category	Projectors
Family	LINEAR TRACK 48V
Name	LINEAR TRACK 48V 1000 PLX EDD 04 940
Index	19.4382.1143.04



Light and electrical data

Light source	LED
Luminous flux LED [lm]	977,5
LED power [W]	6,8
Luminaire luminous flux [lm]	573,8
Power of luminaire [W]	8
Luminaire's light efficiency [lm/W]	71,7
Color of the light [K]	4000
CRI	>90
SDCM (LED sources)	3
Beam angle [°]	(C0-C180) / (C90-C270) - 97° / 101,2°
Photobiological risk class (IEC/EN 62471)	RG0
Protection against electric shock	III
Protection degree	IP20
Voltage	48 V DC
Lifetime of LED sources [h]	60000
Lx/By	L80/B10
Operating temperature range [°C]	5 ÷ 35
Driver	DIM DALI (EDD)

Mechanical data



Assembly	mounted on 48 V track
Material	aluminum
Color	RAL 9005 (black)
Diffuser	PLX (PMMA opal)
Impact resistant	IK04
Dimensions [mm]	120 x 23 x 43

A graph of light

