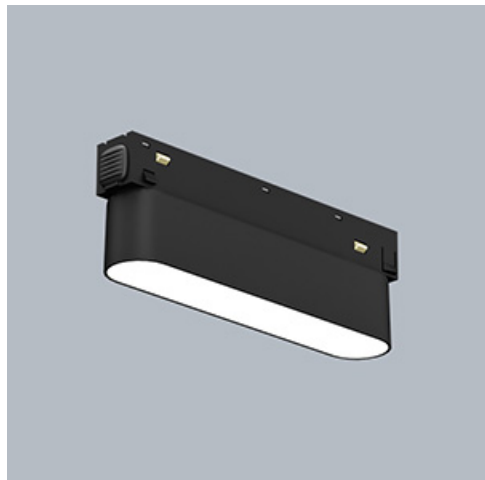


**Product:** LINEAR TRACK 48V 1000 PLX E 04 930

**Index:** 19.4382.1131.04



## Description

LINEAR TRACK 48V is an advanced low-voltage luminaire system available in both non-adjustable and adjustable versions. Its modular, elegant and simple design easily combines aesthetic form with functionality. The track profile allows the combination of different module configurations and their easy and tool-free replacement, offering an elegant, integrated look. The system is available in two variants: a non-adjustable opal diffuser version for general lighting and a combined lens and anti-glare louvre version for accent lighting (beam angles of 20°, 36° or 45°). In the second variant, the luminaire is available in both non-adjustable (Louvre) and adjustable (Louvre Adjustable) versions, allowing 360-degree horizontal rotation and 90-degree vertical adjustment. The LINEAR TRACK 48V luminaire, is available in a black finish, as well as on/off and dimmable (DALI) versions and with a high colour rendering index (CRI90). You can also choose from three colour temperature options for the LED sources - 2700, 3000 and 4000 K. The system is ideal for commercial and residential spaces of a high standard, particularly for elegant shops, art galleries, showrooms, shop windows and supermarkets.

## Product information

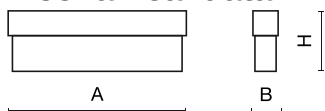
Category	<b>Projectors</b>
Family	<b>LINEAR TRACK 48V</b>
Name	<b>LINEAR TRACK 48V 1000 PLX E 04 930</b>
Index	<b>19.4382.1131.04</b>



## Light and electrical data

Light source	<b>LED</b>
Luminous flux LED [lm]	<b>964,2</b>
LED power [W]	<b>6,8</b>
Luminaire luminous flux [lm]	<b>566</b>
Power of luminaire [W]	<b>8</b>
Luminaire's light efficiency [lm/W]	<b>70,8</b>
Color of the light [K]	<b>3000</b>
CRI	<b>&gt;90</b>
SDCM (LED sources)	<b>3</b>
Beam angle [°]	<b>(C0-C180) / (C90-C270) - 97° / 101,2°</b>
Photobiological risk class (IEC/EN 62471)	<b>RG0</b>
Protection against electric shock	<b>III</b>
Protection degree	<b>IP20</b>
Voltage	<b>48 V DC</b>
Lifetime of LED sources [h]	<b>60000</b>
Lx/By	<b>L80/B10</b>
Operating temperature range [°C]	<b>5 ÷ 35</b>
Driver	<b>standard on/off (E)</b>

## Mechanical data



Assembly	<b>mounted on 48 V track</b>
Material	<b>aluminum</b>
Color	<b>RAL 9005 (black)</b>
Diffuser	<b>PLX (PMMA opal)</b>
Impact resistant	<b>IK04</b>
Dimensions [mm]	<b>120 x 23 x 43</b>

## A graph of light

