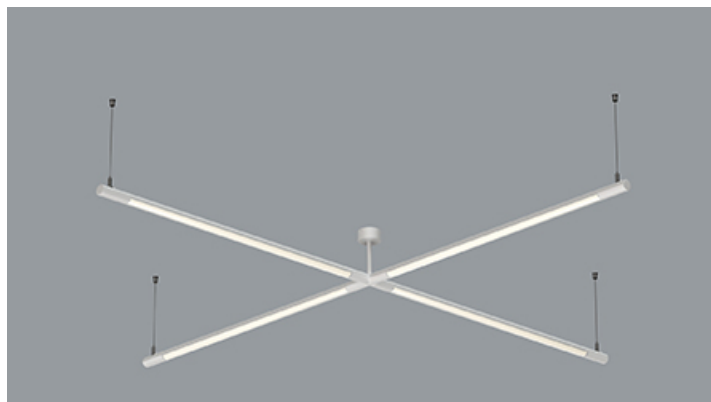
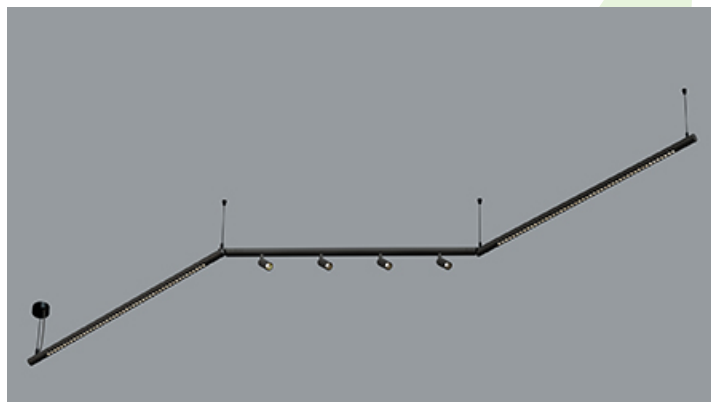
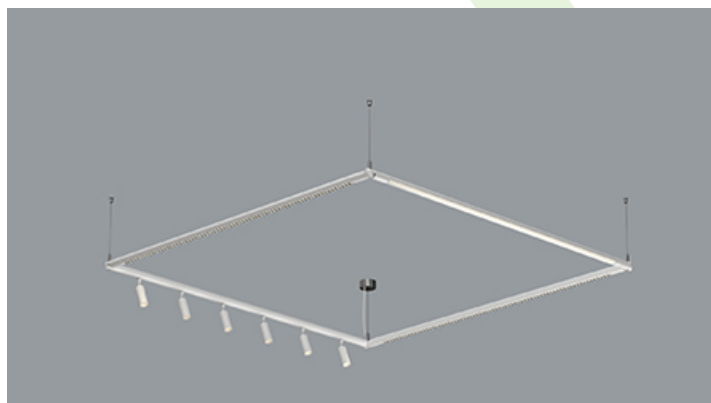
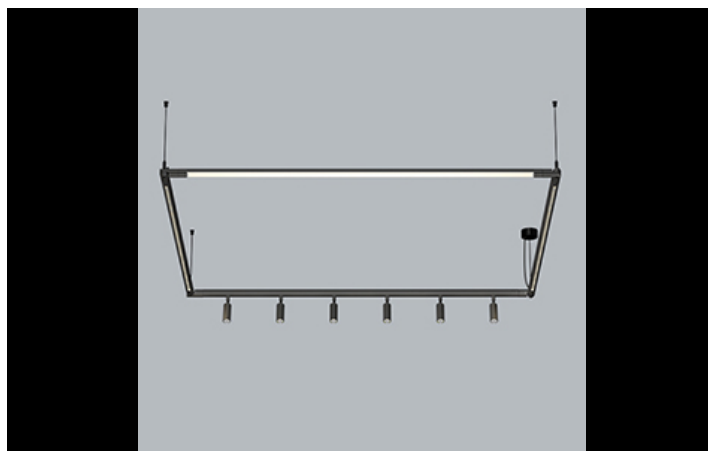




S-LINE SLIM

Surface mounted luminaires



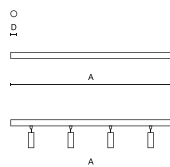
S-LINE SLIM is an innovative lighting solution designed with an ultra-sleek aluminum profile (Ø30mm), making it as versatile as it is stylish. This system not only supports standalone lighting fixtures but also enables the creation of intricate, large-scale systems with different shapes by combining different types of lights and numerous accessories, allowing for endless configurations. With S-LINE SLIM, designers have complete flexibility to bring creative visions to life, with a very quick installation, using a tool-free, reliable "jack" system for quick assembly. Each lighting module rotates a full 360 degrees on its axis, offering the option for both direct illumination and indirect lighting, by reflecting light. The S-LINE SLIM SYSTEM includes three distinct types of light modules to suit any design need: opal diffuser for soft, even lighting, UGR<19 Louver with 30° or 45° optics for glare control and adjustable spotlights for accent lighting with beam angles of 15°, 24°, and 36°. Luminaire is available in two lengths (859mm - 18W and 1259mm - 24W) and three colour temperatures (2700K, 3000K, and 4000K) with a CRI>90, S-LINE SLIM delivers exceptional colour accuracy and lighting quality. The system's accessories open up countless installation possibilities: suspended or surface-mounted, in L, T, or X shapes, adapting effortlessly to various architectural needs, also thanks to the 180° adjustable corner connector allowing the creation of creative and irregular shapes.



Main parameters:

| Name | Luminous flux LED [lm] | Power of luminaire [W] | Color [K] | Dimensions D x H [mm] |
|-----------------------------|--------------------------|------------------------|--------------------|-----------------------|
| S-LINE SLIM 2500 FLOOD | 2259,9 / 2287,3 / 2449,4 | 18 | 2700 / 3000 / 4000 | Ø33 x 859 |
| S-LINE SLIM 2500 LOUVER 30° | 2222,1 / 2432,8 / 2539,3 | 18 | 2700 / 3000 / 4000 | Ø33 x 859 |
| S-LINE SLIM 2500 LOUVER 45° | 2222,1 / 2432,8 / 2539,3 | 18 | 2700 / 3000 / 4000 | Ø33 x 859 |
| S-LINE SLIM 3500 FLOOD | 3380,3 / 3442,7 / 3650,4 | 26 | 2700 / 3000 / 4000 | Ø33 x 1259 |
| S-LINE SLIM 3500 LOUVER 30° | 3252 / 3552 / 3705 | 26 | 2700 / 3000 / 4000 | Ø33 x 1259 |
| S-LINE SLIM 3500 LOUVER 45° | 3252 / 3552 / 3705 | 26 | 2700 / 3000 / 4000 | Ø33 x 1259 |
| S-LINE SLIM 4x500 SPOT 15° | 1628 / 1884 / 2044 | 18 | 2700 / 3000 / 4000 | Ø33 x 859 |
| S-LINE SLIM 4x500 SPOT 24° | 1628 / 1884 / 2044 | 18 | 2700 / 3000 / 4000 | Ø33 x 859 |
| S-LINE SLIM 4x500 SPOT 36° | 1628 / 1884 / 2044 | 18 | 2700 / 3000 / 4000 | Ø33 x 859 |
| S-LINE SLIM 6x500 SPOT 15° | 2442 / 2826 / 3066 | 26 | 2700 / 3000 / 4000 | Ø33 x 1259 |
| S-LINE SLIM 6x500 SPOT 24° | 2442 / 2826 / 3066 | 26 | 2700 / 3000 / 4000 | Ø33 x 1259 |
| S-LINE SLIM 6x500 SPOT 36° | 2442 / 2826 / 3066 | 26 | 2700 / 3000 / 4000 | Ø33 x 1259 |

Technical drawing:



Light and electrical features:

| | |
|--|---------------------|
| Light source | LED |
| Voltage | 48 V DC |
| Lifetime of LED sources [h] | 36000 |
| Lx/By | L80/B10 |
| CRI | >90 |
| SDCM (LED sources) | 3 |
| Photobiological risk class (IEC/EN 62471) | RG0 |
| Operating temperature range [°C] | 5 ÷ 35 |
| Driver | standard on/off (E) |

* Variant to specify when ordering

Mechanical features:

| | |
|-----------------|--|
| Assembly | surface mounted on slings or mounted on wall |
| Material | aluminum |
| Color | RAL 9005 (black) RAL 9016 (white) * |
| Diffuser | PLX (PMMA opal) LOUVER (anti-glare louver) optical system based on PMMA lenses |



Note: The power shown refers to the whole system (tolerance +/- 10%).
The given luminous flux refers to LED light sources (tolerance +/- 10% depends on the value of the colour temperature).
Technical data may be changed. Photos of the luminaires may differ from reality.
Date of last update: 17-04-2026