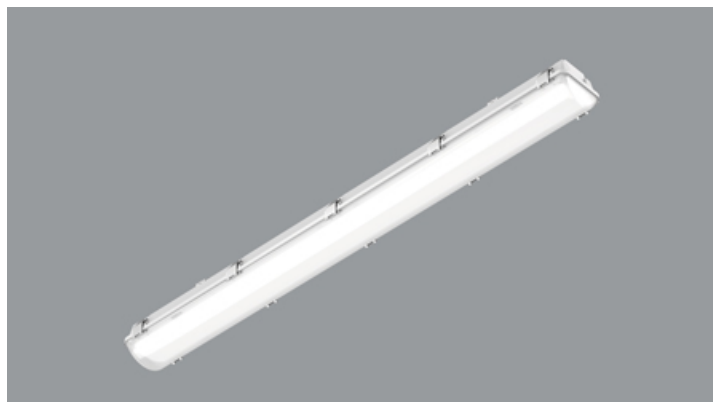
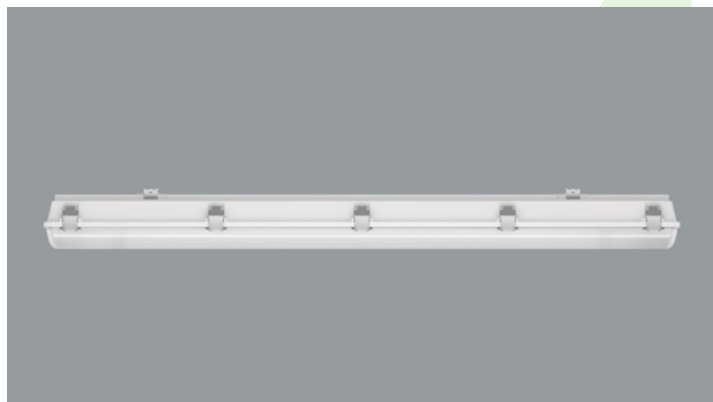
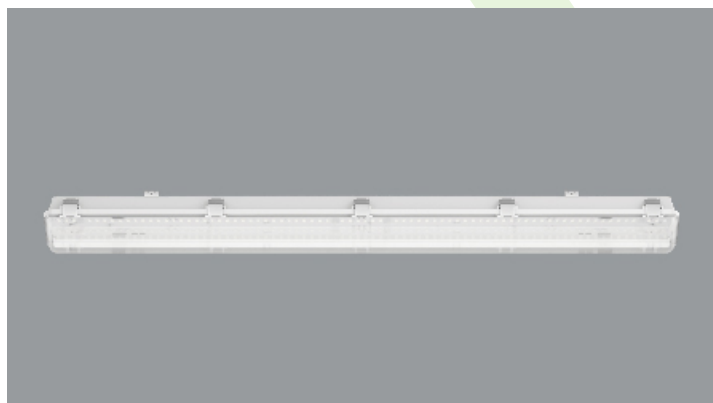
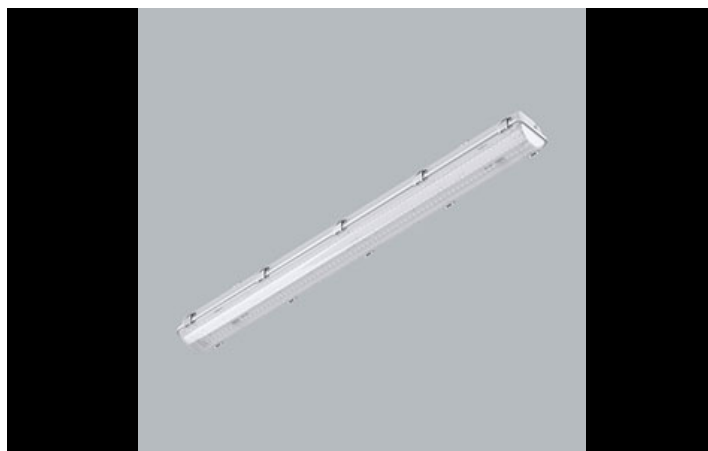




NEPTUN INDUSTRY LED

Industrial luminaires



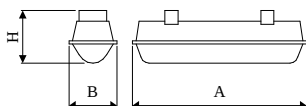
Tightly-closed ceiling luminaires with highly efficient LED light sources, ensuring additional protection against solid body penetration and jet of water from all directions. Perfect to be installed in moist and dusty rooms. The luminaire is characterized by compact size and unbelievably simple and quick way to install comparing with similar products. The color temperature for applied LED light sources is 3000/4000 K. Color rendering index $Ra > 80$. Luminaire designed for industrial facilities. Luminaire clips made of steel.



Main parameters:

Name	Luminous flux LED [lm]	Power of luminaire [W]	Color [K]	Dimensions A x B x H [mm]
NEPTUN INDUSTRY LED 8000	7700,9 / 8138	45,2	3000 / 4000	1163 x 115 x 110
NEPTUN INDUSTRY LED 8000 ZASILANIE PRZELOTOWE 16A	7700,9 / 8138	45,2	3000 / 4000	1163 x 115 x 110
NEPTUN INDUSTRY LED 9000	9079,5 / 9594,8	52,8	3000 / 4000	1563 x 115 x 110
NEPTUN INDUSTRY LED 9000 ZASILANIE PRZELOTOWE 16A	9079,5 / 9594,8	52,8	3000 / 4000	1563 x 115 x 110
NEPTUN INDUSTRY LED 16000	15402 / 16276	90,4	3000 / 4000	1163 x 115 x 110
NEPTUN INDUSTRY LED 16000 ZASILANIE PRZELOTOWE 16A	15402 / 16276	90,4	3000 / 4000	1163 x 115 x 110
NEPTUN INDUSTRY LED 19000	18158 / 19190	105,6	3000 / 4000	1563 x 115 x 110
NEPTUN INDUSTRY LED 19000 ZASILANIE PRZELOTOWE 16A	18158 / 19190	105,6	3000 / 4000	1563 x 115 x 110
NEPTUN INDUSTRY LED 24000	23037 / 24345	131	3000 / 4000	1563 x 115 x 110
NEPTUN INDUSTRY LED 24000 ZASILANIE PRZELOTOWE 16A	23037 / 24345	131	3000 / 4000	1563 x 115 x 110

Technical drawing:



Light and electrical features:

Light source	LED
Voltage	220..240 V, 50..60 Hz
Lifetime of LED sources [h]	60000
Lx/By	L80/B10
CRI	>80
SDCM (LED sources)	3
Photobiological risk class (IEC/EN 62471)	RG0
Operating temperature range [°C]	-40 ÷ 35
Driver	standard on/off (E) DIM DALI (EDD) *
Power factor cos φ	>0,95

* Variant to specify when ordering

Mechanical features:

Assembly	directly mounted to ceiling construction or surface mounted on slings
Material	polycarbonate
Color	RAL 9006 (grey)
Diffuser	PC (opalescent polycarbonate)

Note: The power shown refers to the whole system (tolerance +/- 10%).
The given luminous flux refers to LED light sources (tolerance +/- 10% depends on the value of the colour temperature).
Technical data may be changed. Photos of the luminaires may differ from reality.
Date of last update: 27-03-2026