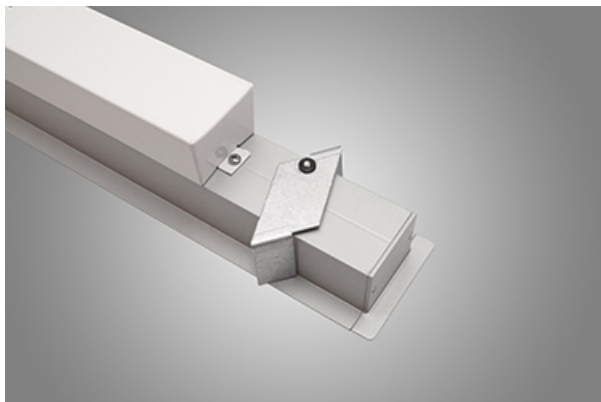




X-LINE SLIM RECESSED LOW UGR LED LINE TUNABLE WHITE

Tunable White luminaires



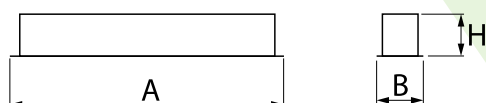
Luminaire made of aluminium profile. Compared to traditional X-Line G/K LED, the size has been reduced and the structure enclosed in a narrower profile, which allows a more elegant aspect of the product. X-Line Slim Recessed uses an anti-glare louvre. All this makes it possible to adjust light and create lighting systems, easing the creation of a comfortable view of indoor spaces and their aesthetics. X-Line Slim Recessed is designed for built-in installation on ceilings. The luminaires are adjusted to be linked together with specially designed connectors, which provide great freedom in arranging elements of the system as well as great functionality. The luminaire is equipped with LED modules adjusted to regulate the color temperature of light in the range from 2700 K to 6500 K.



Main parameters:

Name	Luminous flux LED [lm]	Power of luminaire [W]	Color [K]	Dimensions A x B x H [mm]
X-LINE SLIM RECESSED LOW UGR LED LINE 4200 TUNABLE WHITE	3990÷4305 (2700÷6500 K)	25,6	2700 ÷ 6500	1142 x 70 x 75 / 1121 x 70 x 75

Technical drawing:



Light and electrical features:

Light source	LED
Voltage	220..240 V, 50..60 Hz
Lifetime of LED sources [h]	50000
Lx/By	L80/B10
CRI	>80
SDCM (LED sources)	3
Photobiological risk class (IEC/EN 62471)	RG0
Operating temperature range [°C]	5 ÷ 35
Driver	DIM DALI (EDD)
Power factor cos φ	>0,95

Mechanical features:

Assembly	mounted in plasterboard ceilings
Material	aluminum
Color	RAL 9016 (white)
Diffuser	RASTER (anti-glare louvre)

Additional information:

The luminaire can be made in CLO version.

Note: The power shown refers to the whole system (tolerance +/- 10%).
The given luminous flux refers to LED light sources (tolerance +/- 10% depends on the value of the colour temperature).
Technical data may be changed. Photos of the luminaires may differ from reality.
Date of last update: 24-03-2025