



X-LINE LED CONNECTOR T

Surface mounted luminaires



Light fitting made out of aluminium profile equipped with opal diffuser or MPRM and driver. X-LINE fittings are intended to be mounted on ceiling or pendants. The luminaires are adjusted to be linked together with specially designed links, which provide great freedom in arranging elements of the system as well as great functionality. In the family of X-LINE LED fittings modules of renowned brands are applied.

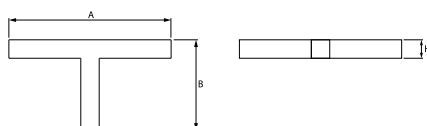
Manor house from the 17th century, Łodygowice



Main parameters:

Name	Luminous flux LED [lm]	Power of luminaire [W]	Color [K]	Dimensions A x B x H [mm]
X-LINE LED 3900	3788 / 3926	21,7	3000 / 4000	1126 x 593 x 71
X-LINE LED 6600	6608 / 6848	35,3	3000 / 4000	1126 x 593 x 71

Technical drawing:



Light and electrical features:

Light source	LED
Voltage	220..240 V, 50..60 Hz
Lifetime of LED sources [h]	100000 (1) / 147000 (2)
Lx/By	L80/B10 (1) / L70/B50 (2)
CRI	>80
SDCM (LED sources)	3
Operating temperature range [°C]	5 ÷ 30
Driver	standard on/off (E) DIM DALI (EDD) *
Power factor cos φ	>0,95

* Variant to specify when ordering

Mechanical features:

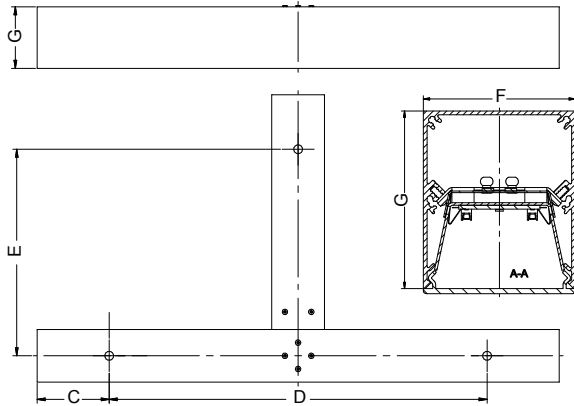
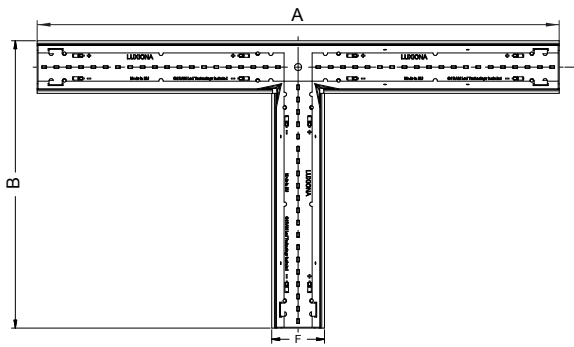
Assembly	directly mounted to ceiling construction or surface mounted on slings
Material	aluminum
Color	anodised aluminum
Diffuser	Micro-PRM (micro-prismatic diffuser PMMA) PLX (PMMA opal)

Additional information:

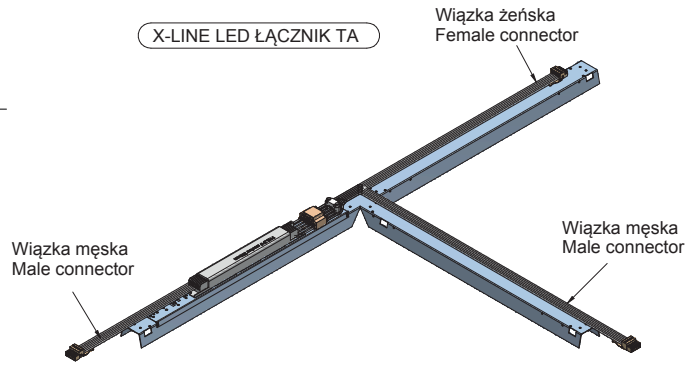
The luminaire can be made in CLO version.

Note: The power shown refers to the whole system (tolerance +/- 10%).
The given luminous flux refers to LED light sources (tolerance +/- 10% depends on the value of the colour temperature).
Technical data may be changed. Photos of the luminaires may differ from reality.
Date of last update: 18-04-2024

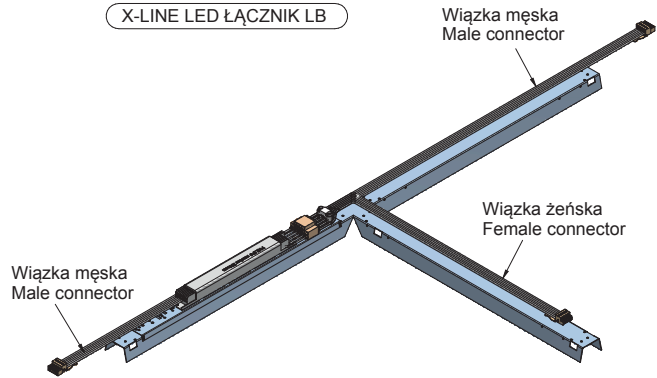
Dodatkowe informacje / Additional information:



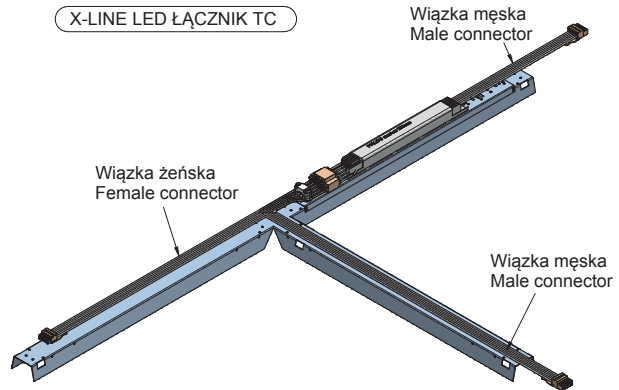
X-LINE LED ŁĄCZNIK TA



X-LINE LED ŁĄCZNIK LB



X-LINE LED ŁĄCZNIK TC



	A (mm)	B (mm)	C (mm)	D (mm)	E (mm)	F (mm)	G (mm)
X-LINE LED ŁĄCZNIK TA / X-LINE LED CONNECTOR TA							
3900	1126	593	80	966	483	60	72
6600	1126	593	80	966	483	60	72
X-LINE LED ŁĄCZNIK TB / X-LINE LED CONNECTOR TB							
3900	1126	593	80	966	483	60	72
6600	1126	593	80	966	483	60	72
X-LINE LED ŁĄCZNIK TC / X-LINE LED CONNECTOR TC							
3900	1126	593	80	966	483	60	72
6600	1126	593	80	966	483	60	72