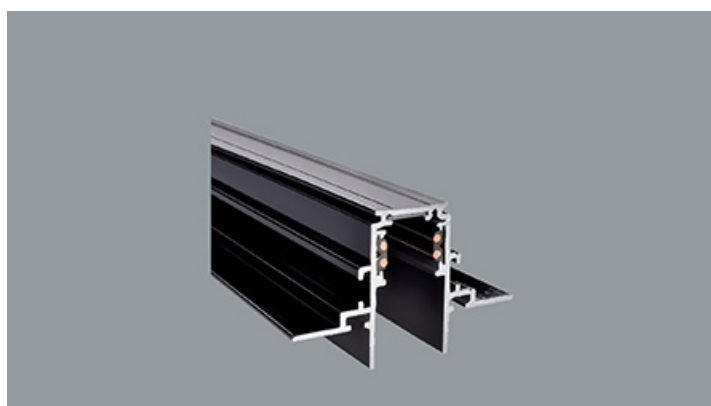
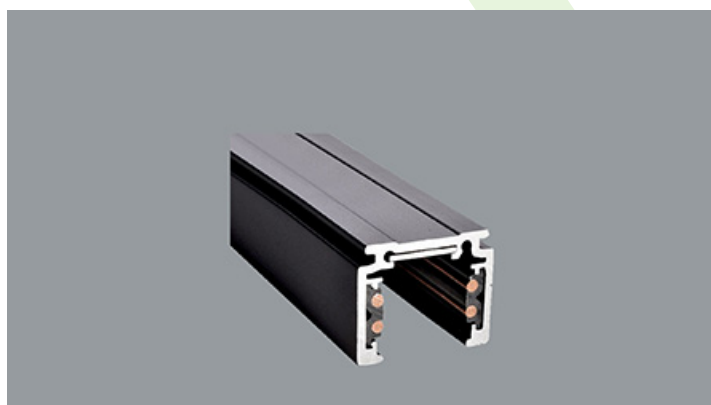
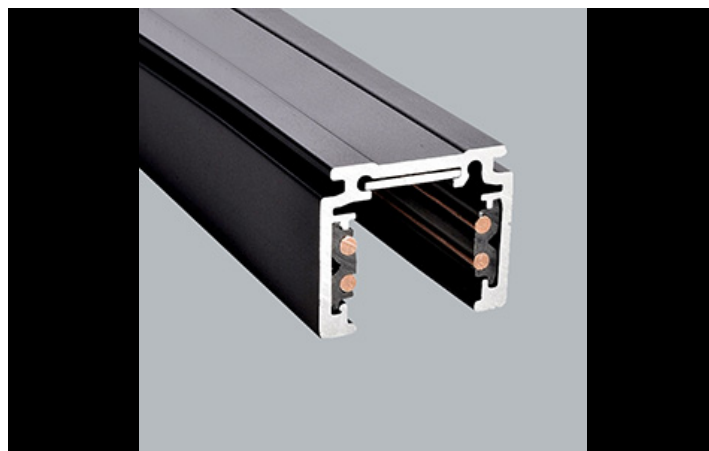




48V TRACKS ACCESSORIES

Accessories



48V track system by LUXIONA offers a flexible and versatile solution for lighting spaces with complete design freedom. The system is available in three track versions, each offering different installation options: recessed, surface mounted, or suspended. With various lighting fixtures available, from accent lighting to general lighting, designers can create numerous configurations to suit a wide range of applications. The user-friendly system allows the final user to easily reposition the luminaires without tools to meet changing needs easily and safely since the entire system operates on low voltage. Luminaires are available in 2700K, 3000K, and 4000K, providing the perfect colour temperature options. They also feature CRI90 for excellent colour reproduction, together with a UGR.



Main parameters:

Name	Luminous flux LED [lm]	Power of luminaire [W]	Color [K]	Dimensions A x B x H [mm]
48V Track 1000mm Black PRO-N110-B-PT				1000 x 26,2 x 21,9
48V Track Recessed 1000mm Black PRO-RN110-B-PT				1000 x 74 x 46,9
48V Surface Deep Track 1000mm Black PRO-DN110-B-PT				1000 x 26,2 x 47,2
48V Track 2000mm Black PRO-N120-B-PT				2000 x 26,2 x 21,9
48V Track Recessed 2000mm Black PRO-RN120-B-PT				2000 x 74 x 46,9
48V Surface Deep Track 2000mm Black PRO-DN120-B-PT				2000 x 26,2 x 47,2
48V Live End Connector Left Black PRO-N131L-B				97 x 16 x 19
48V Live End Connector Right Black PRO-N131R-B				97 x 16 x 19
48V End Cap Black PRO-N132-B				26 x 22
48V End Cap Recessed Black PRO-RN132-B				34 x 47
48V Deep End Cap Black PRO-DN132-B				32 x 47
48V Flexible Connector Black PRO-N139-B				97 x 17
48V I Connector Black incl. PRO-NC01				144 x 16
48V L Connector Black PRO-N135-B				114 x 114 x 16
48V L Profile Connector Flat Left Black PRO-N135FL-B				71 x 71
48V L Profile Connector Flat Right Black PRO-N135FR-B				71 x 71
48V L Profile Connector Flat Left Recessed Black PRO-RN135FL-B				95 x 95
48V L Profile Connector Flat Right Recessed Black PRO-RN135FR-B				95 x 95
48V Deep L Connector Flat Left Black PRO-DN135FL-B				71 x 71
48V Deep L Connector Flat Right Black PRO-DN135FR-B				71 x 71
48V L Profile Connector Stereo Black PRO-N135S-B				84 x 84
48V L Profile Connector Stereo Recessed Black PRO-RN135S-B				81 x 81
48V Deep L Connector Stereo Black PRO-DN135S-B				84 x 84
48V Ceiling Mount EZ Click with 1m Rod Black PRO-EZN147-B				
48V Ceiling Mount EZ Click with 3m Wire Black PRO-EZN148-B				
48V Ceiling Mount Reinforcement with 1m Rod Black PRO-N147-B				120 x 27
48V Ceiling Mount Reinforcement with 3m Wire Black PRO-N148-B				120 x 27
48V Mounting Clamp Black PRO-N1SK-B				30 x 27,72 x 10,5
48V Ceiling Mount With 1.5m Wire Black PRO-N149-B				

Technical drawing:

Light and electrical features:

Light source

Voltage 48 V DC

Lifetime of LED sources [h]

Lx/By

CRI

SDCM (LED sources)

Operating temperature range [°C]

Driver

Mechanical features:

Assembly

Material

Color black

Diffuser



Note: The power shown refers to the whole system (tolerance +/- 10%).
The given luminous flux refers to LED light sources (tolerance +/- 10% depends on the value of the colour temperature).
Technical data may be changed. Photos of the luminaires may differ from reality.
Date of last update: 24-03-2025