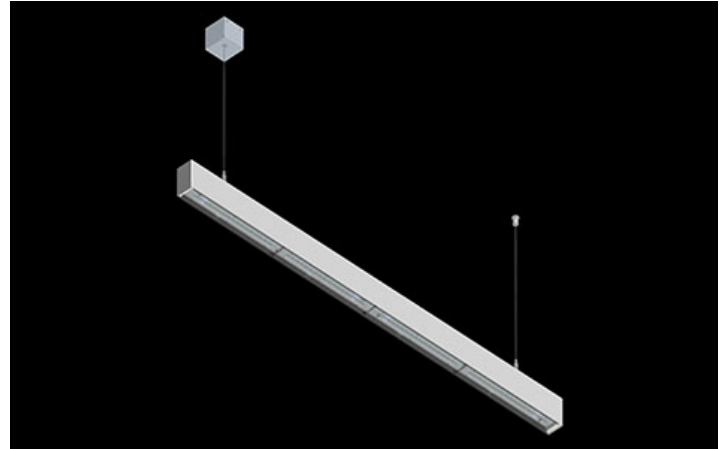




X-LINE SLIM UP&DOWN LED TUNABLE WHITE

Tunable White luminaires



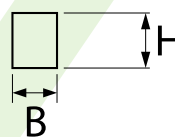
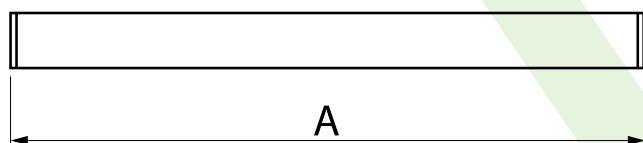
The luminaire is made of aluminum profile. Its characteristic feature is the light distribution in the upper and lower half-space. Comparing to the traditional X-Line LED, size of the luminaire has been reduced, and all construction has been closed in a narrow 48 mm profile, which gives now a more elegant form of the product. The X-Line Slim uses a PC and lenses (intended only for the lower beam). All of this allows to manipulate light and create lighting systems, facilitating the creation of comfortable vision in the interiors and their aesthetic appearance. The X-Line Slim luminaire is designed for mounting on suspensions. LED sources distributing light in both the lower and upper half-space are connected into one circuit and use a common, single power supply. The luminaire is equipped with LED modules adjusted to regulate the color temperature of light in the range from 2700 K to 6500 K.



Main parameters:

Name	Luminous flux LED [lm]	Power of luminaire [W]	Color [K]	Dimensions A x B x H [mm]
X-LINE SLIM UP&DOWN LED 4400/4400 TUNABLE WHITE	9767÷10909 (2700÷6500 K)	58,7	2700÷6500	1144 x 48 x 70
X-LINE SLIM UP&DOWN LED 5500/5500 TUNABLE WHITE	12208÷13636 (2700÷6500 K)	73,4	2700÷6500	1425 x 48 x 70

Technical drawing:



Light and electrical features:

Light source	LED
Voltage	220..240 V, 50..60 Hz
Lifetime of LED sources [h]	50000
Lx/By	L80/B10
CRI	>80
SDCM (LED sources)	3
Operating temperature range [°C]	5 ÷ 30
Driver	DIM DALI (EDD)
Power factor cos φ	>0,95

Mechanical features:

Assembly	surface mounted on slings
Material	aluminum
Color	anodised aluminum
Diffuser	PC/OPTICS (opalescent polycarbonate/optical system based on lenses) [up/down]

Additional information:

See next page of this data sheet to check possible modifications. The luminaire can be made in CLO version.

Dodatkowe informacje / Additional information / Zusätzliche Informationen:

Przykładowe modyfikacje* / Examples of modifications* / Beispiele der Modifikationen*

* - UWAGA!!!
Poniższe rozwiązania nie są dostępne w tych samych wersjach rozmiarowych i mocowych co podstawowa wersja produktu.
Dane mechaniczne oraz elektryczne mogą się różnić. Możliwość zamówienia tylko po indywidualnych uzgodnieniach.

* - WARNING!
The following solutions are not available in the same size and power versions as the basic version of the product.
Mechanical and electrical data may be different. Possibility to order only after individual contact.

* - ACHTUNG!!!
Die nachfolgenden Lösungen sind nicht in der gleichen Größe und mit der gleichen Leistung wie die Basisversion des Produkts erhältlich. Mechanische und elektrische Parameter können davon abweichen. Nur nach individueller Abstimmung lieferbar.

X-Line Slim LED

(z czujnikiem natężenia światła i obecności / with light and presence sensor / mit einem Lichtstärke- und Anwesenheitssensor)



X-Line Slim LED black PLX

(z czarną przesłoną / with black diffuser / mit schwarzer Blende)



X-Line Slim LED

(z rastrem Low UGR / with Low UGR louver / mit einem Raster Low UGR)

