



X-LINE LED CONNECTOR L

Surface mounted luminaires



Light fitting made out of aluminium profile equipped with opal diffuser or MPRM and driver. X-LINE fittings are intended to be mounted on ceiling or pendants. The luminaires are adjusted to be linked together with specially designed links, which provide great freedom in arranging elements of the system as well as great functionality. In the family of X-LINE LED fittings modules of renowned brands are applied.



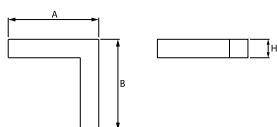
Manor house from the 17th century, Łodygowice



Main parameters:

Name	Luminous flux LED [lm]	Power of luminaire [W]	Color [K]	Dimensions A x B x H [mm]
X-LINE LED 1950	1895 / 1964	11,1	3000 / 4000	593 x 313 x 71
X-LINE LED 2600	2525 / 2617	14,4	3000 / 4000	593 x 593 x 71
X-LINE LED 3300	3316 / 3436	19,2	3000 / 4000	593 x 313 x 71
X-LINE LED 4400	4406 / 4565	24,7	3000 / 4000	593 x 593 x 71

Technical drawing:



Light and electrical features:

Light source	LED
Voltage	220..240 V, 50..60 Hz
Lifetime of LED sources [h]	100000 (1) / 147000 (2)
Lx/By	L80/B10 (1) / L70/B50 (2)
CRI	>80
SDCM (LED sources)	3
Operating temperature range [°C]	5 ÷ 30
Driver	standard on/off (E) DIM DALI (EDD) *
Power factor cos φ	>0,95

* Variant to specify when ordering

Mechanical features:

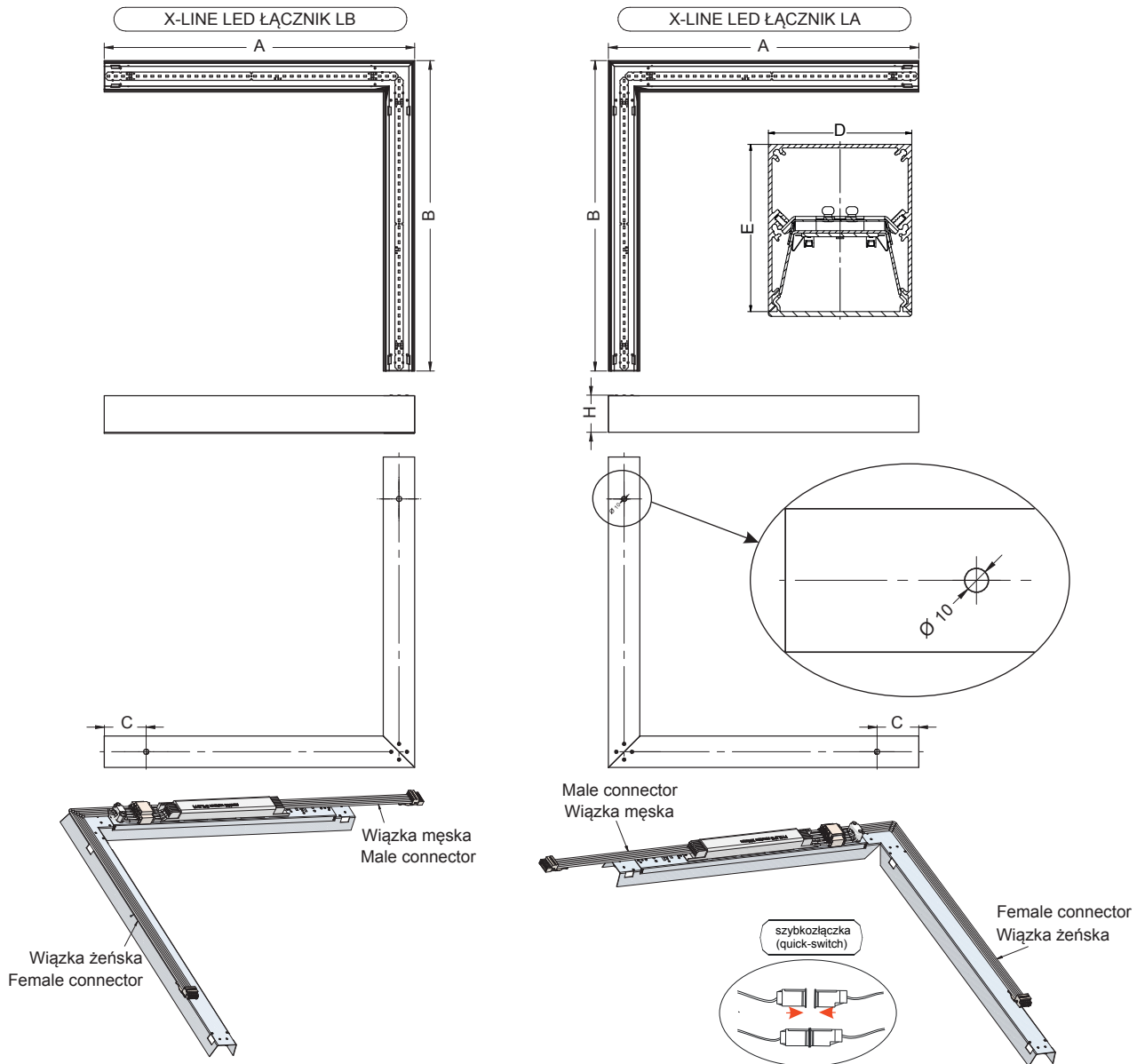
Assembly	directly mounted to ceiling construction or surface mounted on slings
Material	aluminum
Color	anodised aluminum
Diffuser	Micro-PRM (micro-prismatic diffuser PMMA) PLX (PMMA opal)

Additional information:

The luminaire can be made in CLO version.

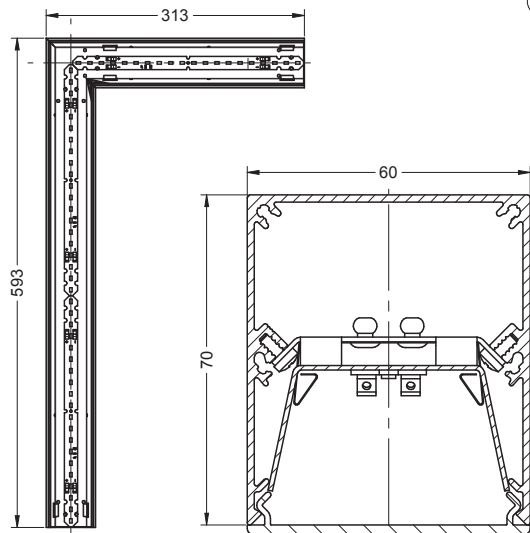
Note: The power shown refers to the whole system (tolerance +/- 10%).
The given luminous flux refers to LED light sources (tolerance +/- 10% depends on the value of the colour temperature).
Technical data may be changed. Photos of the luminaires may differ from reality.
Date of last update: 23-12-2022

Dodatkowe informacje / Additional information:



	A (mm)	B (mm)	C (mm)	D (mm)	E (mm)	H (mm)
X-LINE LED ŁĄCZNIK LA / X-LINE LED CONNECTOR LA						
2600	593	593	80	60	70	71
4400	593	593	80	60	70	71
X-LINE LED ŁĄCZNIK LB / X-LINE LED CONNECTOR LB						
2600	593	593	80	60	70	71
4400	593	593	80	60	70	71

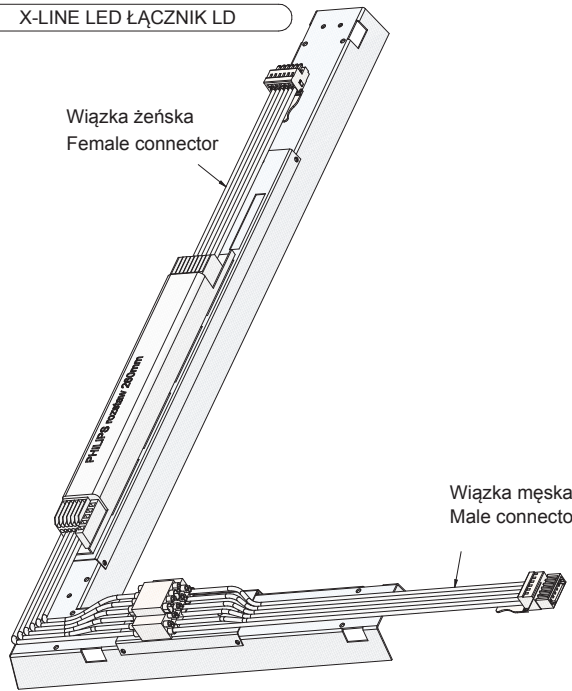
Dodatkowe informacje / Additional information:



X-LINE LED ŁĄCZNIK LD

Wiązka żeńska
Female connector

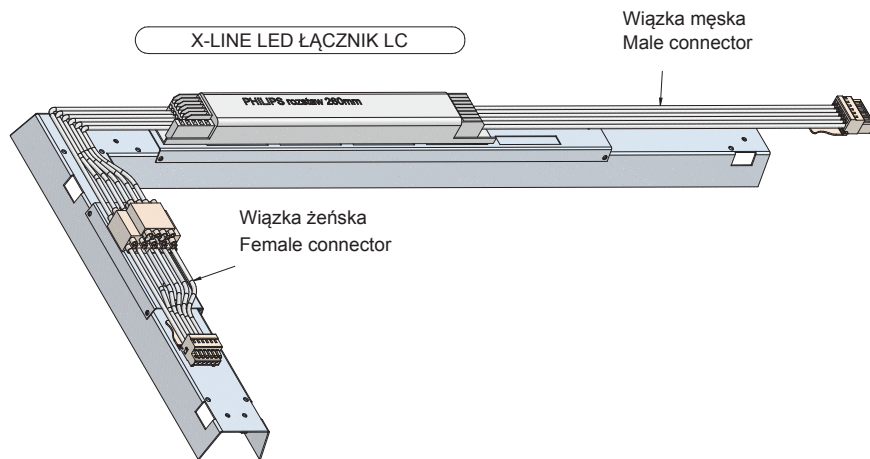
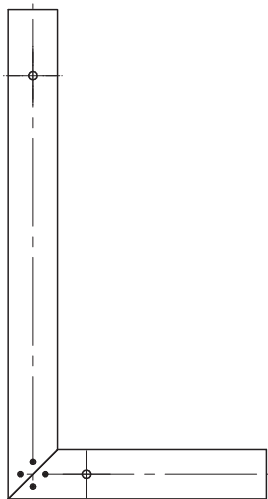
Wiązka męska
Male connector



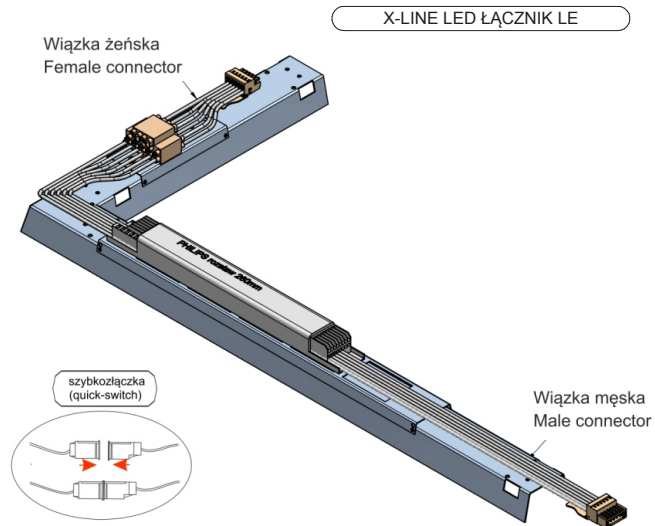
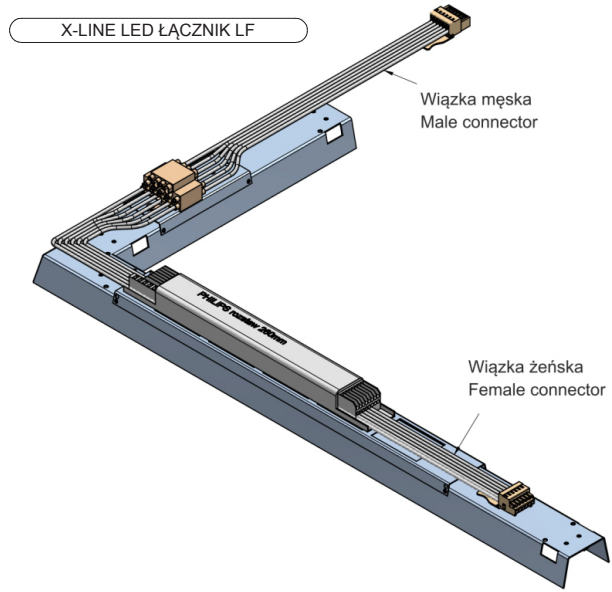
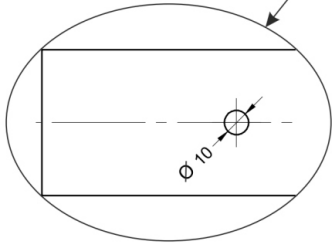
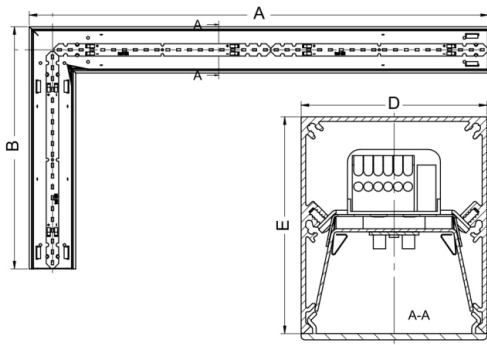
X-LINE LED ŁĄCZNIK LC

Wiązka żeńska
Female connector

Wiązka męska
Male connector



Dodatkowe informacje / Additional information:



	A (mm)	B (mm)	C (mm)	D (mm)	E (mm)	H (mm)
X-LINE LED ŁĄCZNIK LE / X-LINE LED CONNECTOR LE						
1950	593	313	80	60	70	71
3300	593	313	80	60	70	71
X-LINE LED ŁĄCZNIK LF / X-LINE LED CONNECTOR LF						
1950	593	313	80	60	70	71
3300	593	313	80	60	70	71