



## PARALLEL LED

---

Industrial luminaires

---



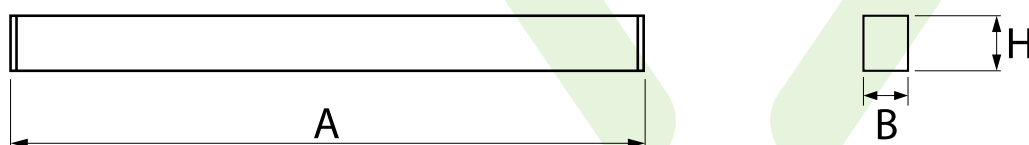
Parallel is an industrial modular system for installing in straight lines. It is an excellent option for lighting industrial premises and warehouses, but is also suitable for offices, supermarkets and commercial spaces. A luminaire mounted in line systems, made of aluminium, painted in white. To be applied in industrial objects and other places, where high intensity and uniformity of lighting is necessary.



## Main parameters:

Name	Luminous flux LED [lm]	Power of luminaire [W]	Color [K]	Dimensions A x B x H [mm]
PARALLEL LED 4000	4606,4	26,5	4000	1142x 70 x 50
PARALLEL LED 6000	6270,2 / 6909,6	38,3 / 39,8	4000	1142x 70 x 50 / 1710x 70 x 50
PARALLEL LED 9000	9405,3	57,5	4000	1710x 70 x 50
PARALLEL LED 8000	9212,8	53,1	4000	2270x 70 x 50
PARALLEL LED 12000	12540,4	76,6	4000	2270x 70 x 50

## Technical drawing:



## Light and electrical features:

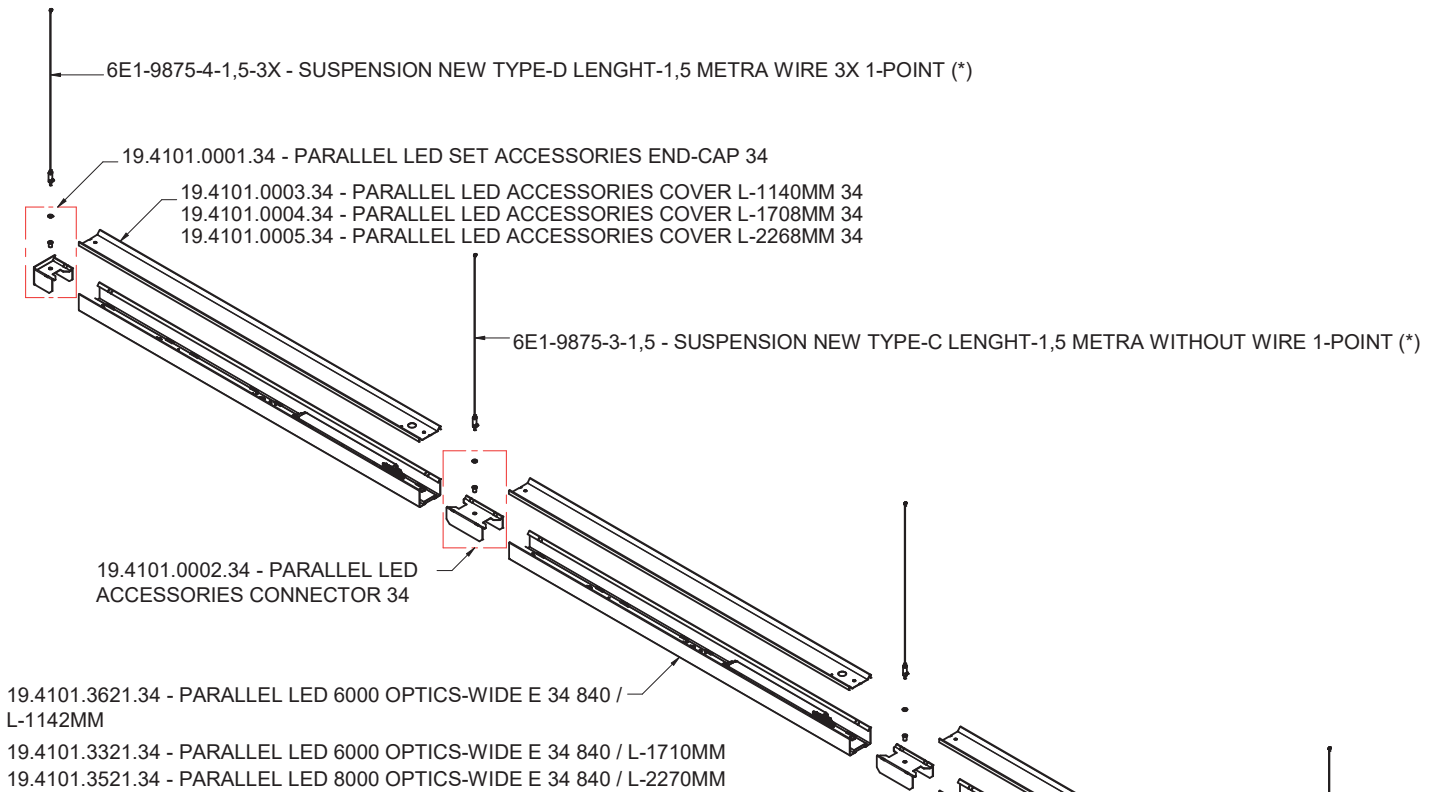
Light source	LED
Voltage	220..240 V, 50..60 Hz
Lifetime of LED sources [h]	60000
Lx/By	L80/B10
CRI	>80
SDCM (LED sources)	3
Photobiological risk class (IEC/EN 62471)	RG0
Operating temperature range [°C]	5 ÷ 35
Driver	standard on/off (E)

## Mechanical features:

Assembly	surface mounted on slings
Material	aluminum
Color	RAL 9016 (white)
Diffuser	OPTICS (optical system based on lenses)

Note: The power shown refers to the whole system (tolerance +/- 10%).  
The given luminous flux refers to LED light sources (tolerance +/- 10% depends on the value of the colour temperature).  
Technical data may be changed. Photos of the luminaires may differ from reality.  
Date of last update: 23-12-2022

**Additional information:**

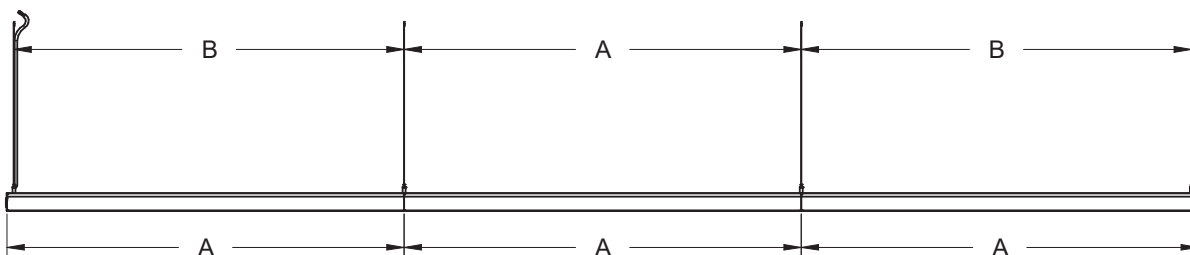


Three possible configuration of 10m lines:

- 1) 8x19.4101.3621.34 + 8x19.4101.0003.34 + 7x19.4101.0002.34 + 19.4101.0001.34 + 6E1-9875-4-1,5-3X + 8x6E1-9875-3-1,5 - total line length 9136mm.
- 2) 5x19.4101.3321.34 + 5x19.4101.0004.34 + 4x19.4101.0002.34 + 19.4101.0001.34 + 6E1-9875-4-1,5-3X + 5x6E1-9875-3-1,5 - total line length 8550mm.
- 2) 4x19.4101.3521.34 + 4x19.4101.0005.34 + 3x19.4101.0002.34 + 19.4101.0001.34 + 6E1-9875-4-1,5-3X + 4x6E1-9875-3-1,5 - total line length 9080mm.

(\*) For other suspensions, check [www.luxiona.pl Products/accessories/suspension](http://www.luxiona.pl/Products/accessories/suspension)

Consider that in a installation of N luminaires, will require a minimum of N+1 suspension



Distance suspension depending on module length	
A	B
1142	1122
1710	1690
2270	2250